

Cleaning

*** All chrome surfaces should be cleaned using a clean damp cloth.

*** No abrasive cleaning agents or materials should be used.

*** General glass cleaner can be used for the screen, but ensure that this will not damage the chrome, check the cleaning information on the product before use.

This instruction will cover installation of the following units

Codes:

7442	7443	7444	7445	7446	7447
7448	7449	7450	7451	7452	7453
11085	11086	11087	11088	11089	11091
11092	11094	11095	11097	11099	11100

Trinity Premium Sliding Door Instructions



*** Image for installation purpose only

Please retain this manual after installation for future reference and maintenance

Product must be installed in compliance with relevant Water

Importance

- *** Handle with care, impact can damage both the glass and frame
- *** Check for pipes and wires prior to installation
- *** Use of safety equipment is advised
- *** Two people may be required for part of the installation
- *** If installing on a tray, follow correct method of installation by installing the tray and tile down onto this.

Telephone

0844 484 7678

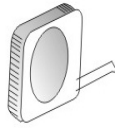
TOOLS REQUIRED (not supplied)



Spirit Level



Wrench



Tape



Marking Pencil



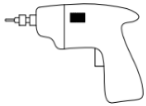
Silicone Gun



Hammer



Drill Bit
ø6



Drill

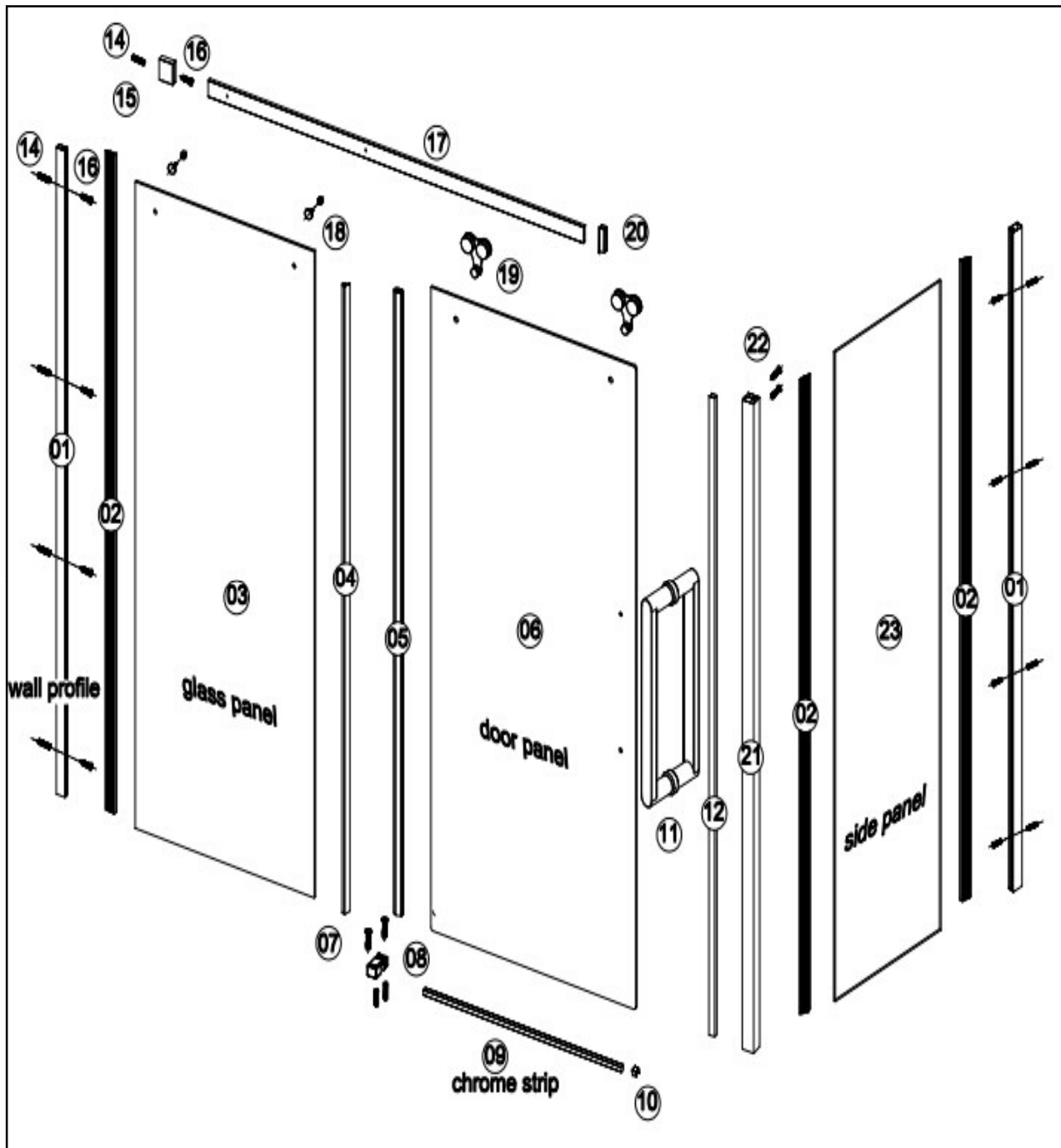


Screwdriver

Parts List

Item	Description	Qty		
01	Wall profile	2		
02	Strip	3		
03	Fixed panel	1		
04	Fixed panel seal	1		
05	Door panel seal	1	Curved U type	
06	Door panel	1		
07	Screw ST4*16	2		
08	Glass clip	1	1 left or 1 right	
09	Chrome strip	1		
10	Small filler	1		
11	Handle	1 pair		
12	U shaped seal	1	Square U type	
13		N/V		
14	Plug	11		
15	Metal fixture	1 set		
16	Screw ST4*25	9		
17	Rail	1		
18	Fixing kit	2 sets		
19	Rollers	2		
20	Large filler	1		
21	Corner profile	1		
22	Screw M4*8	2		
23	Side panel	1		

Parts Drawing

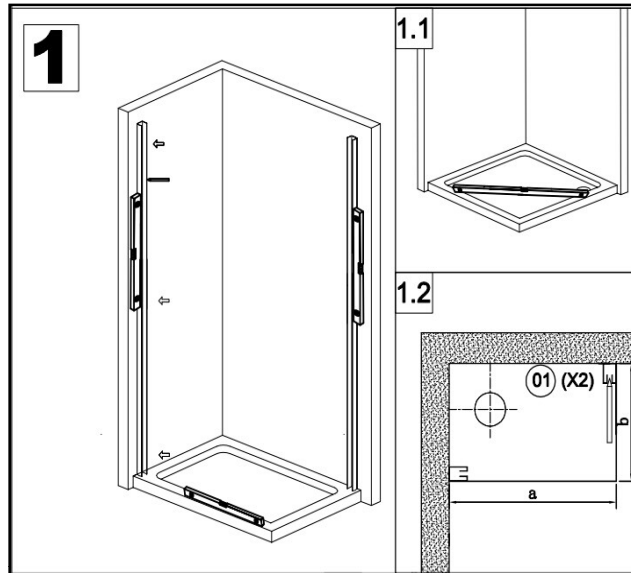


Installation Guide

Step 1

Place the fixed panel wall profile 5mm in from the front edge of the tray and connector profile 25mm in from the front edge of the tray, using a spirit level to ensure the profiles are vertical

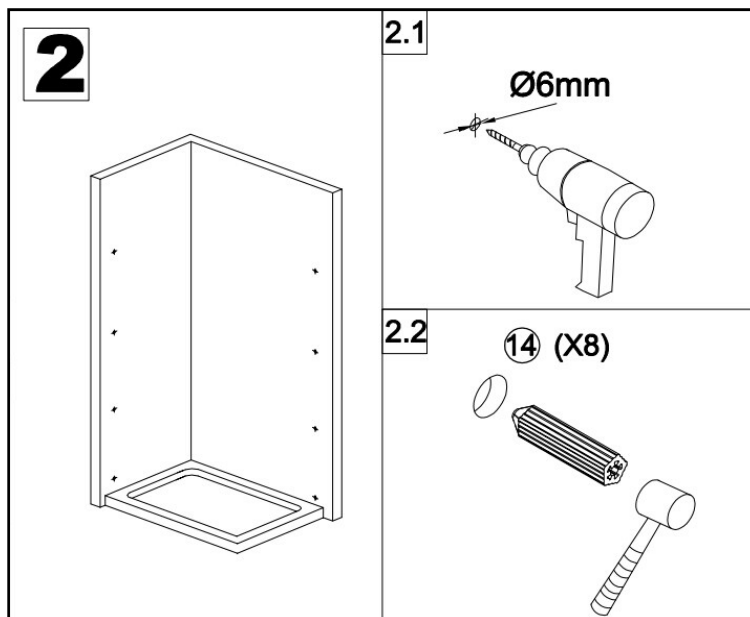
Mark the drill holes through the inside of the wall profiles, carry out the same for both wall profiles



Step 2

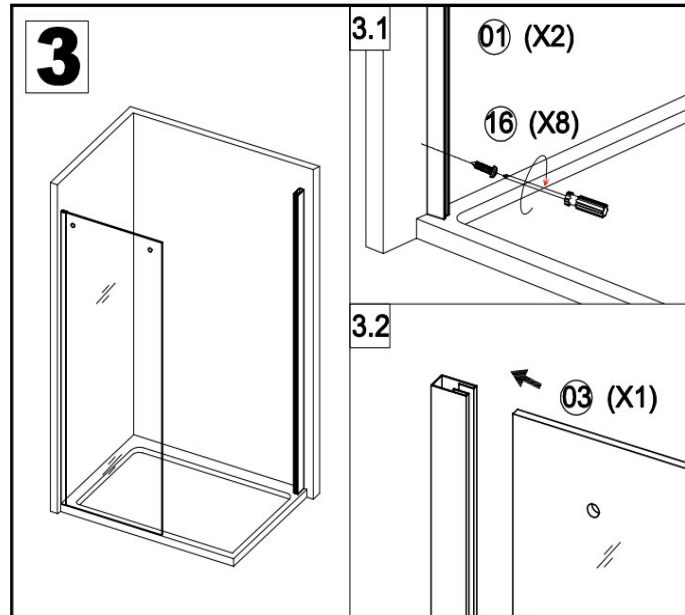
2.1 Once the holes are marked on the wall, remove the wall profiles and drill the holes using $\Phi 6\text{mm}$ bit

2.2 Place the plugs (14) and insert them into wall



Step 3

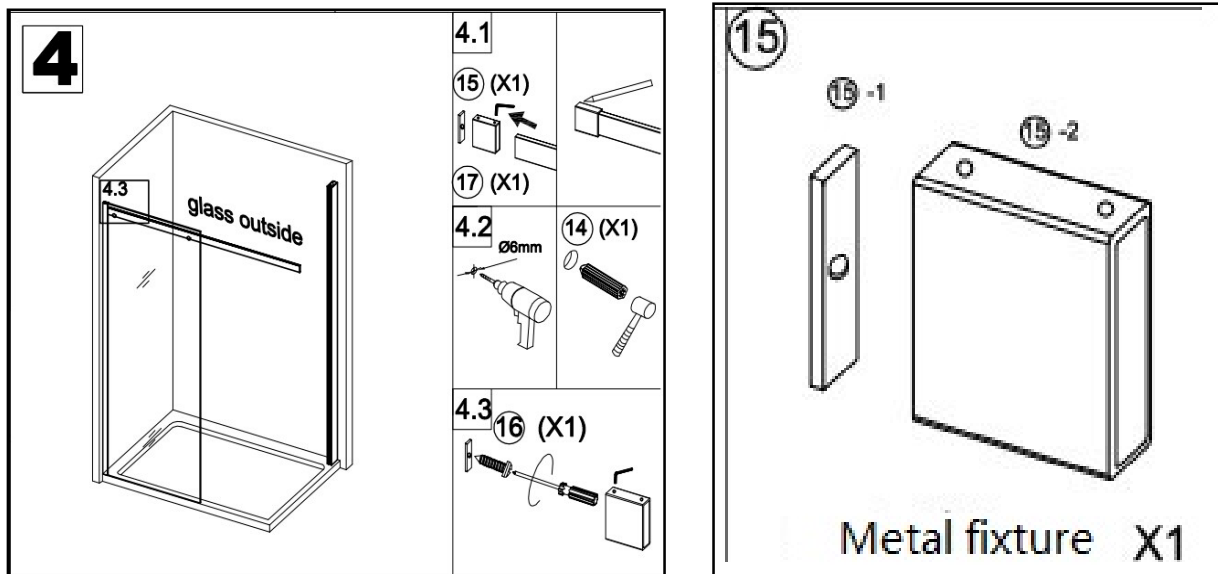
- 3.1 Place the wall profile(01) back onto the wall and using screwdriver to fix the screws (16)
- 3.2 Push the fixed glass panel (03) into the wall profile (01)



Step 4

Place the rail (17) on the fixed glass panel (03) and line up the holes on the panel and rail

- 4.1 Mark around the metal fixture (15) and remove the rail, remark the hole position through the metal fixture to the wall
 - 4.2 Drill the hole and fix the plug (14) into the wall
 - 4.3 Fix the wall plate (15-1) using screw (16); put the metal fixture (15-2) to cover the wall plate
- Fix the fixture (15-2) to the wall plate (15-1) from the top through the hole next to the wall plate



Step 5

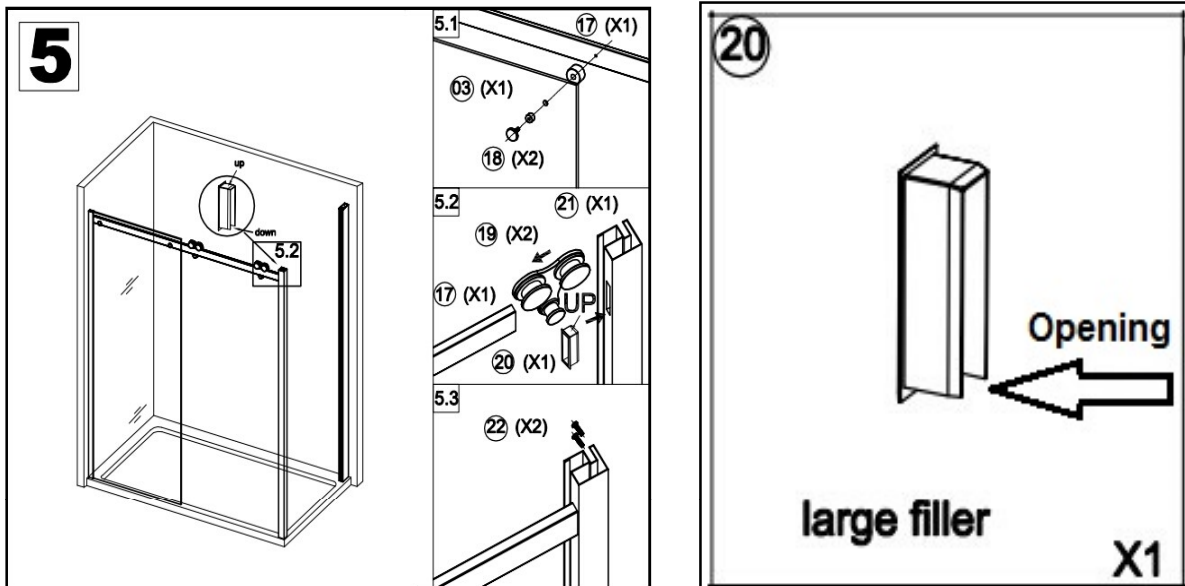
Insert the rail (17) into the fixture (15-2), line up the holes on the rails and fixed glass panels

5.1 Position the fixing kit (18) and fix the rail (17) to the fixed panel (03), not too tight at this moment

5.2 Put the two rollers (19) into the rail, position the large filler (20) into the corner profile (21)

*** When installing the filler, ensure the opening is located at the bottom

5.3 Insert the rail (17) into the corner profile and fix it using screw M4*8 (22) from the side of the profile

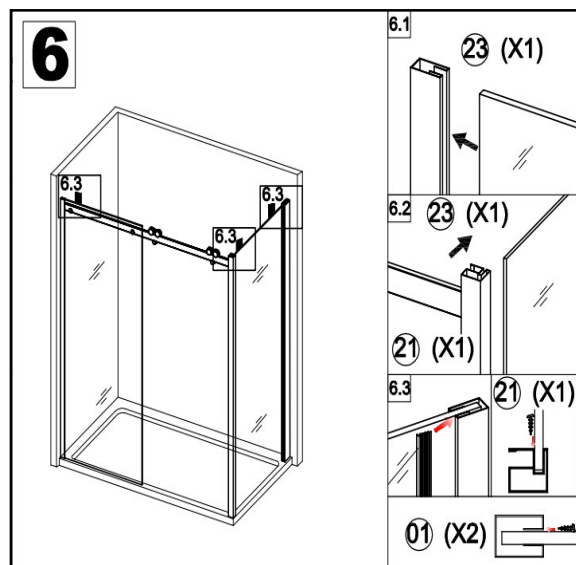


Step 6

6.1 Push the side panel (23) into the wall profile

6.2 Place the other side of the side panel (23) into the corner profile (21)

6.3 Adjust the side panel and profiles to proper position; then insert the seal to fasten the glass panels to the profiles



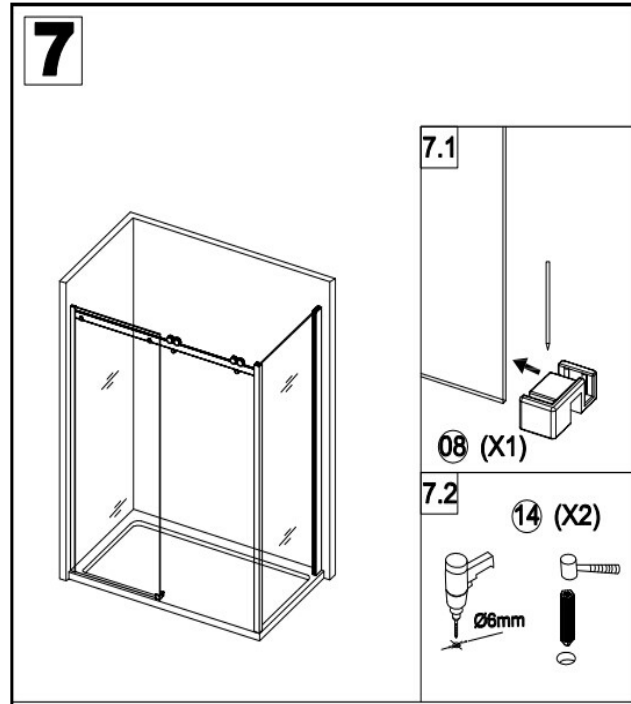
Step 7

7.1 Place the glass clip(08) to fixed panel (03)
mark the hole position through the top
of glass clip

7.2 Remove the glass clip, drill a hole using
Φ6mm bit; Once hole is drilled apply a small
amount of silicone into the hole

*** plug(14) is not applied if install on a tray

*** plug(14) is necessary to install directly on floor



Step 8

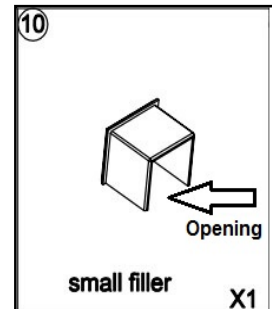
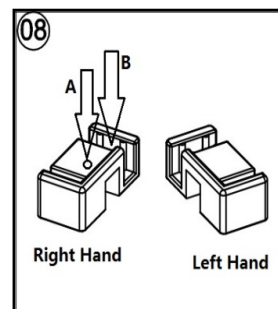
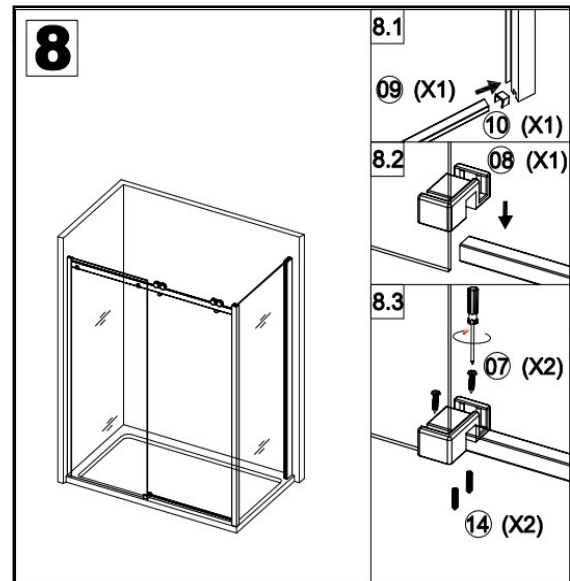
8.1 Insert the small filler (10) into the corner profile
(21); then position the chrome strip(09) through
the strip to the corner profile

*** When installing the filler, ensure the opening is
located at the bottom

8.2 Place the glass clip(08) to the fixed panel(03),
then move it down and ensure the chrome strip
(09) to be positioned correctly to the glass clip

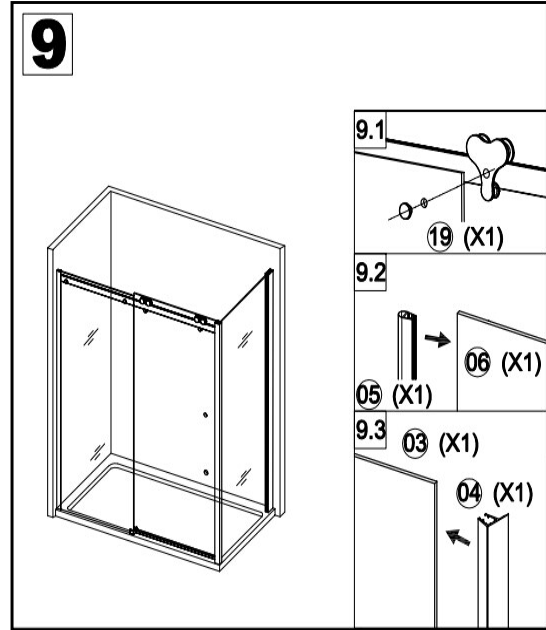
8.3 Fasten the clip by screwdriver with ST4*16(07)
from the top of the clip(Position A)

*** Need to drill a hole on tray/floor through Position A



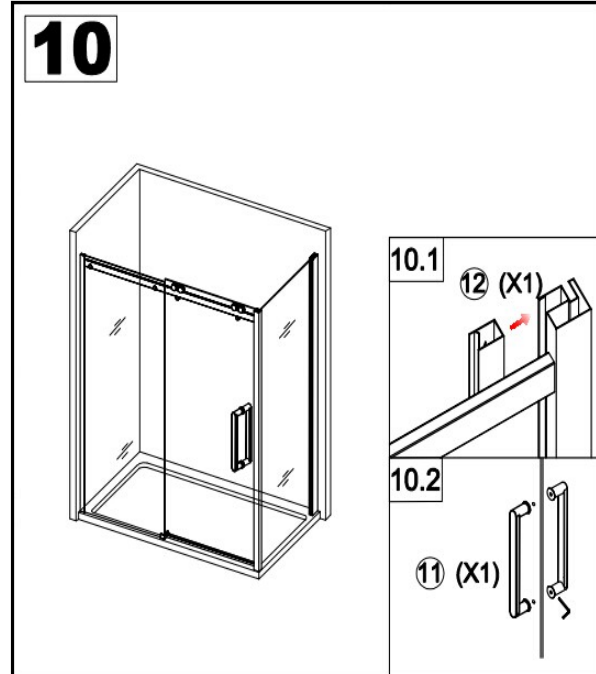
Step 9

- 9.1 Place the door panel up to rail(17) and ensure the bottom of door panel sit on the glass clip (08); then fasten the rollers(19) to the rail
- 9.2 Push the door panel seal(05) to door panel
- 9.3 Push the fixed panel seal(04) to fixed panel and ensure the lip is towards inside



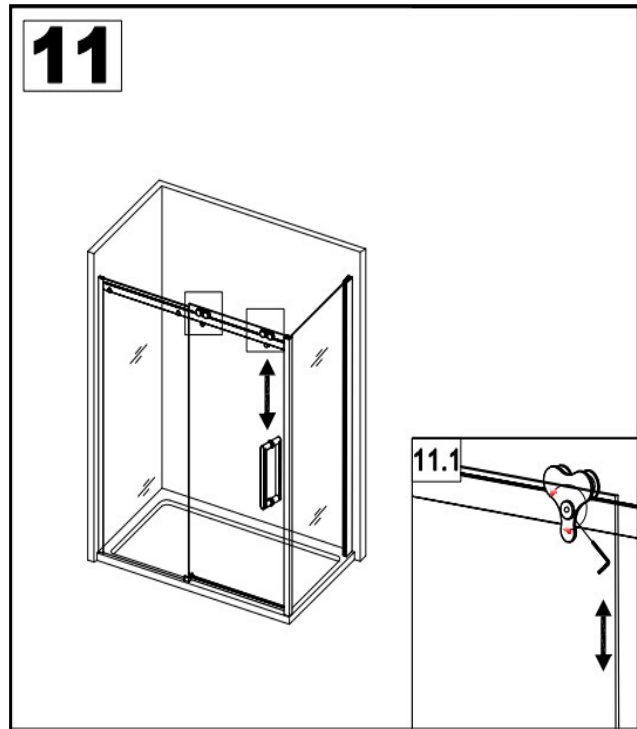
Step 10

- 10.1 Insert the seal(12) into the corner profile
- 10.2 Fasten the handles(11) to the door panel



Step 11

Using a spirit level to check whether the door panel is installed level;
If not, please use a proper Allen Key(supplied)
to adjust the roller to ensure the door panel is horizontal



Step 12

Apply silicone along the bottom outer edge of
the frame and up the outer of the profiles

*** Do not apply silicone from inside

*** Do not use the enclosure for at least 24hours
to let the silicone fully cure

