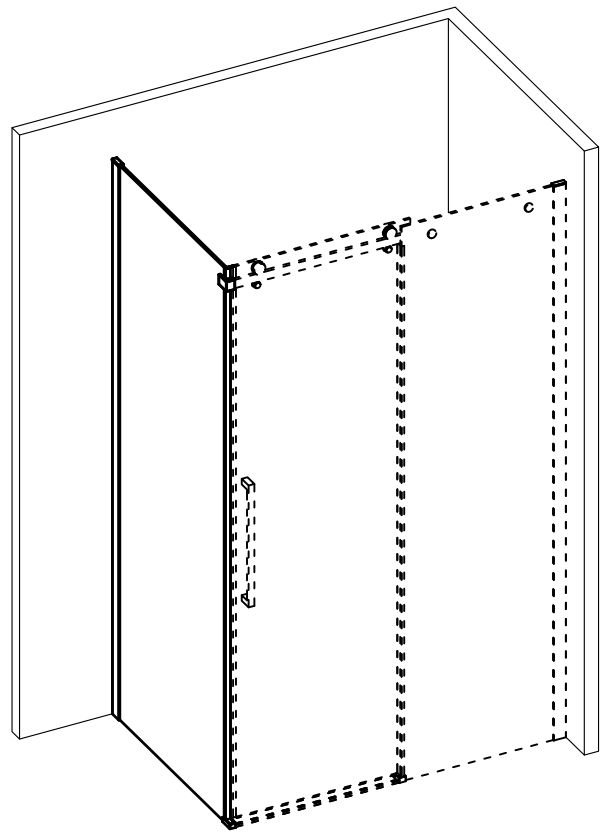
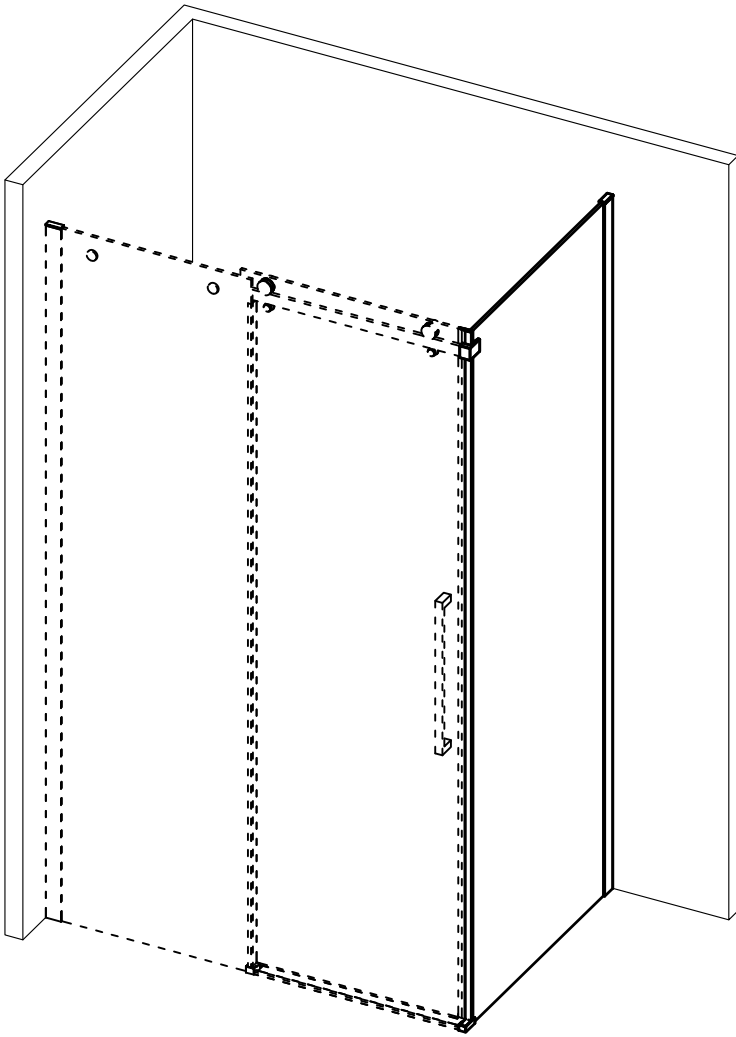
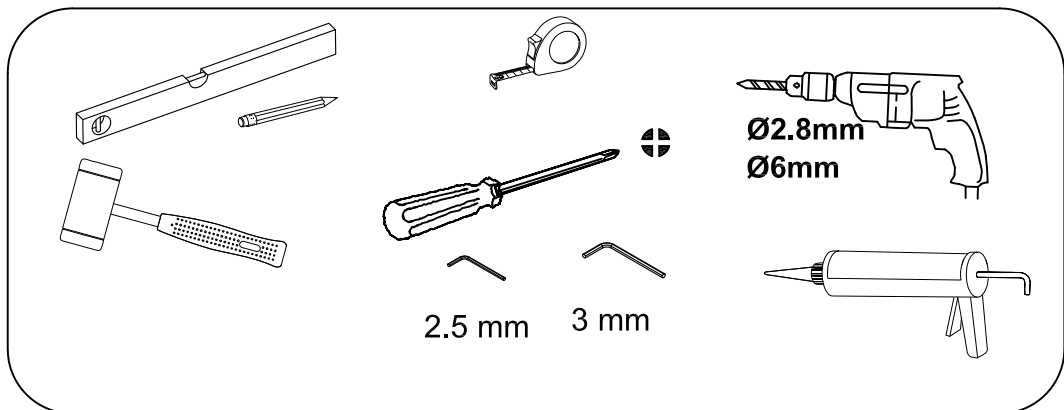
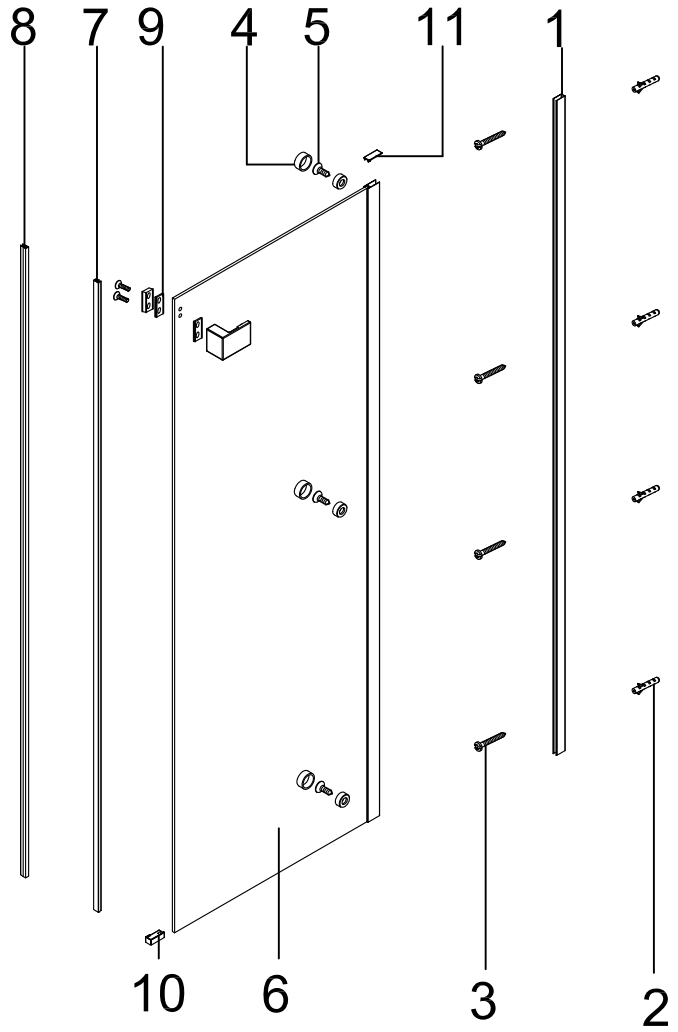
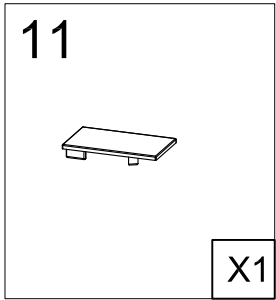
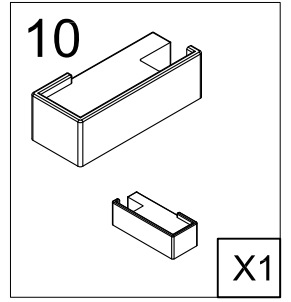
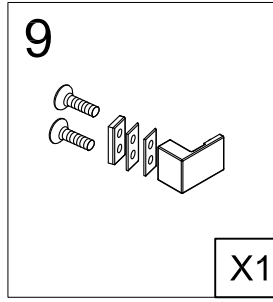
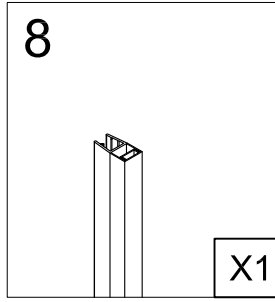
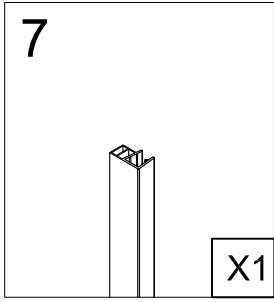
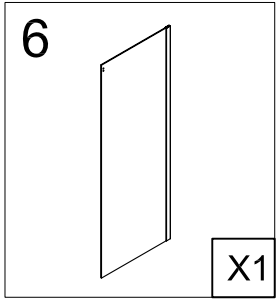
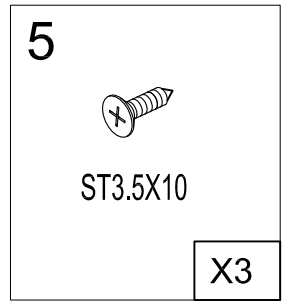
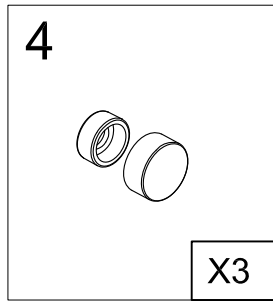
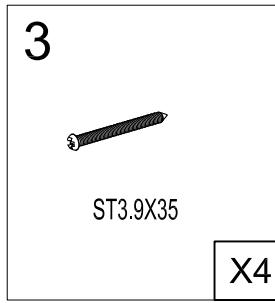
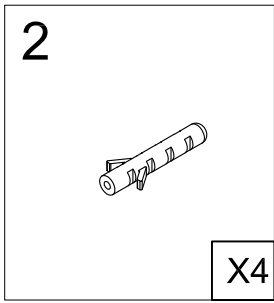
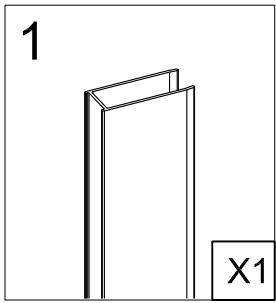


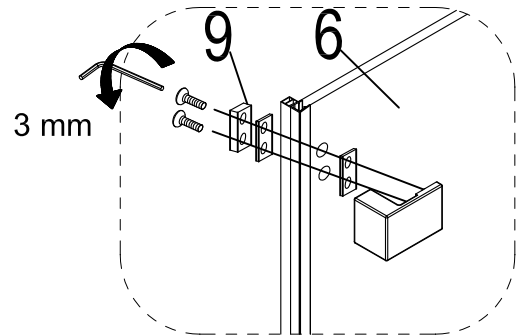
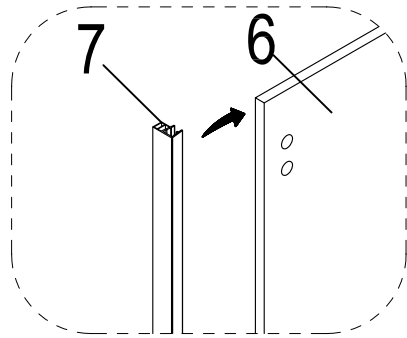
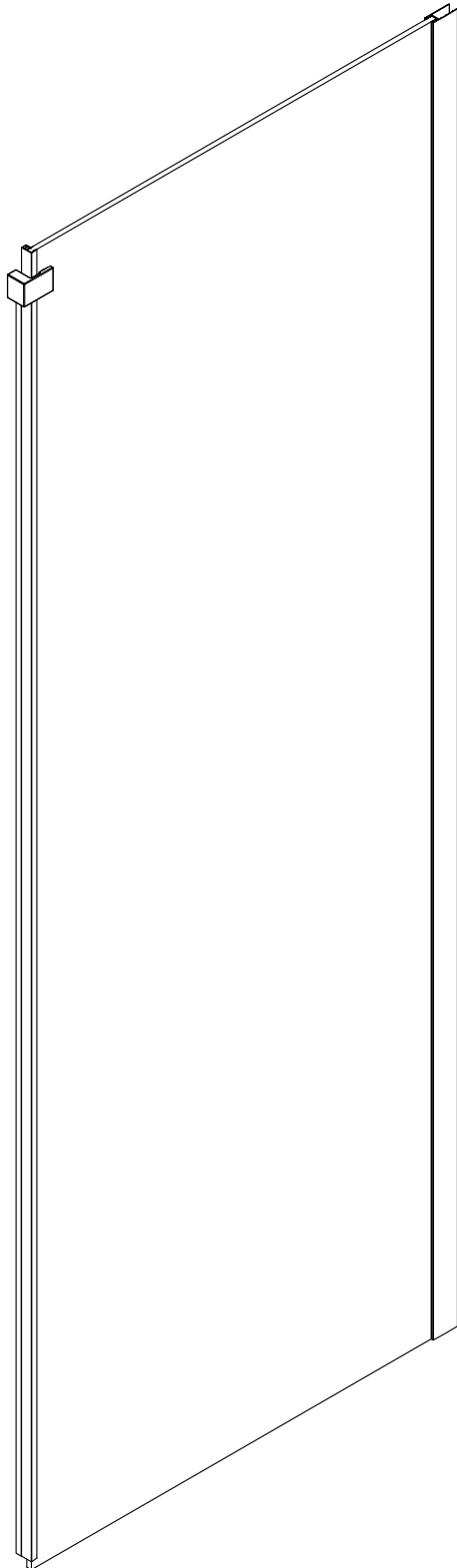
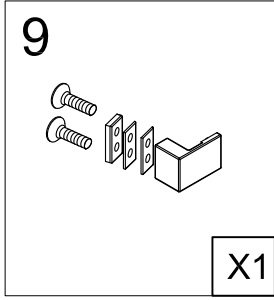
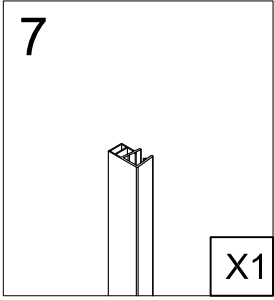
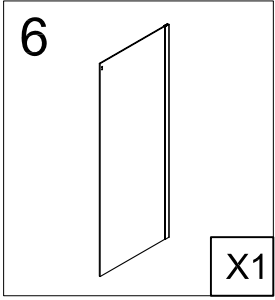
# SEDSP808

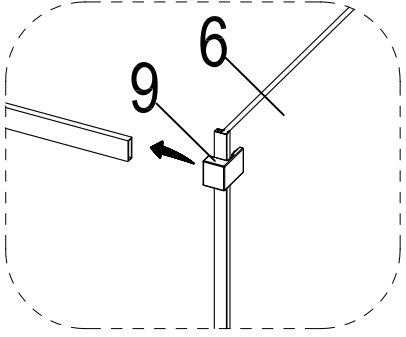
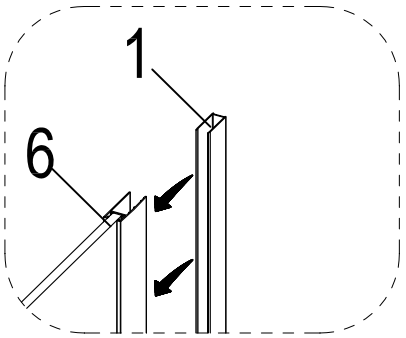
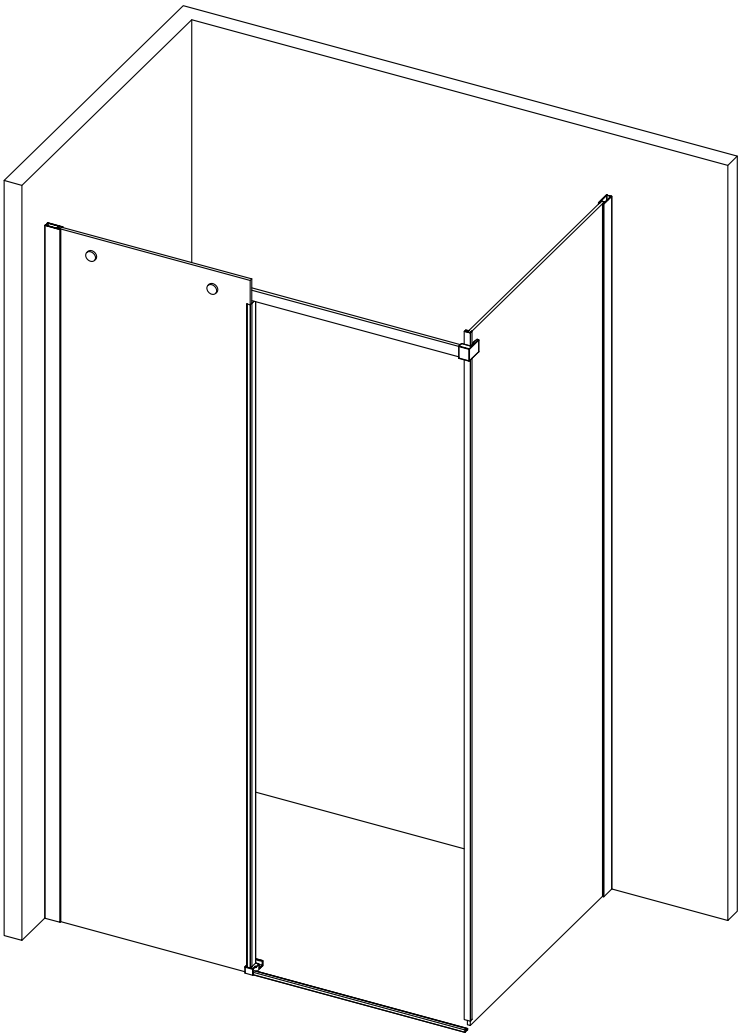
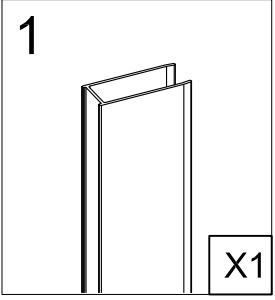


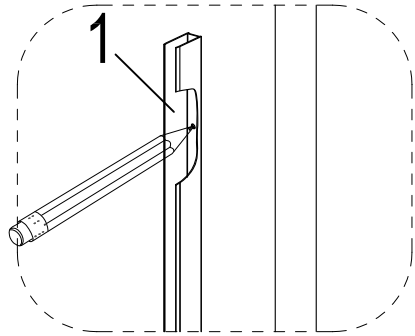
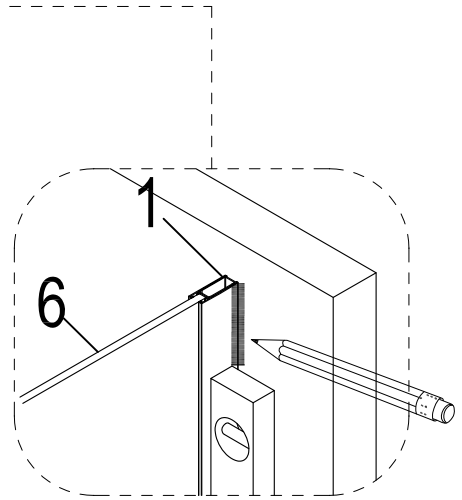
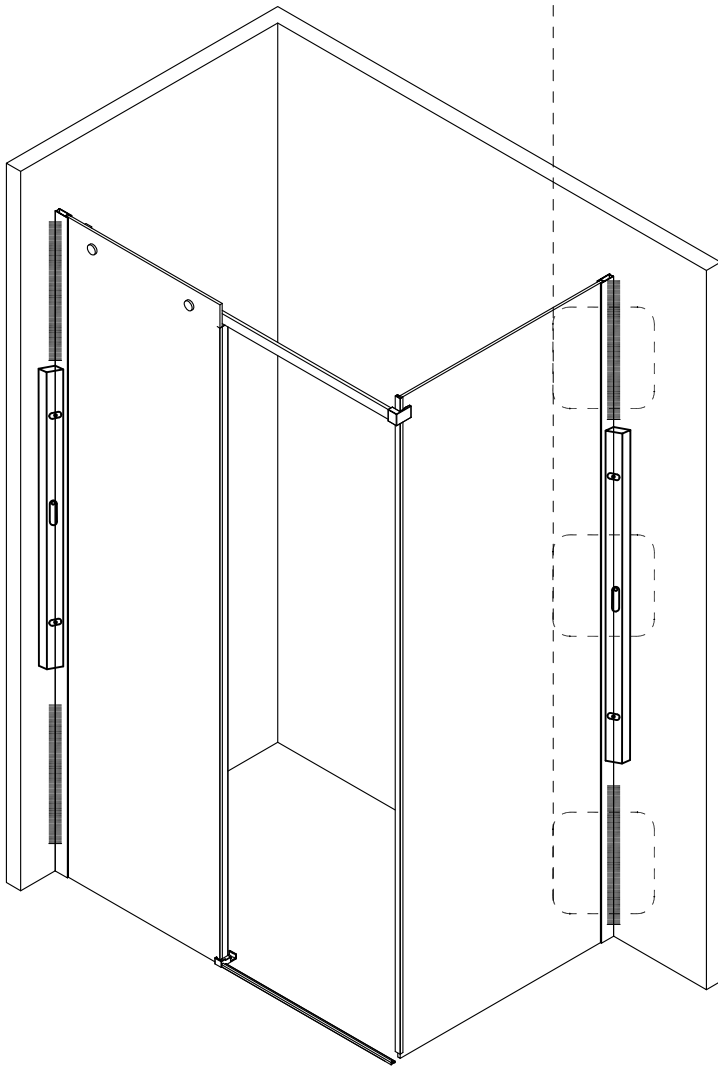
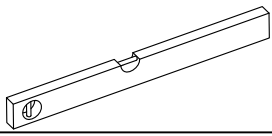


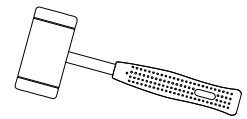
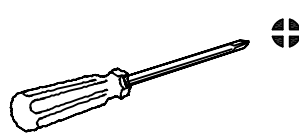
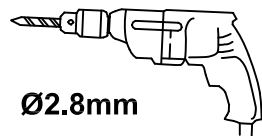
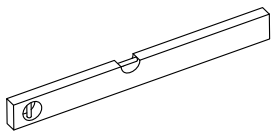


3 mm



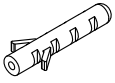






Ø2.8mm

2



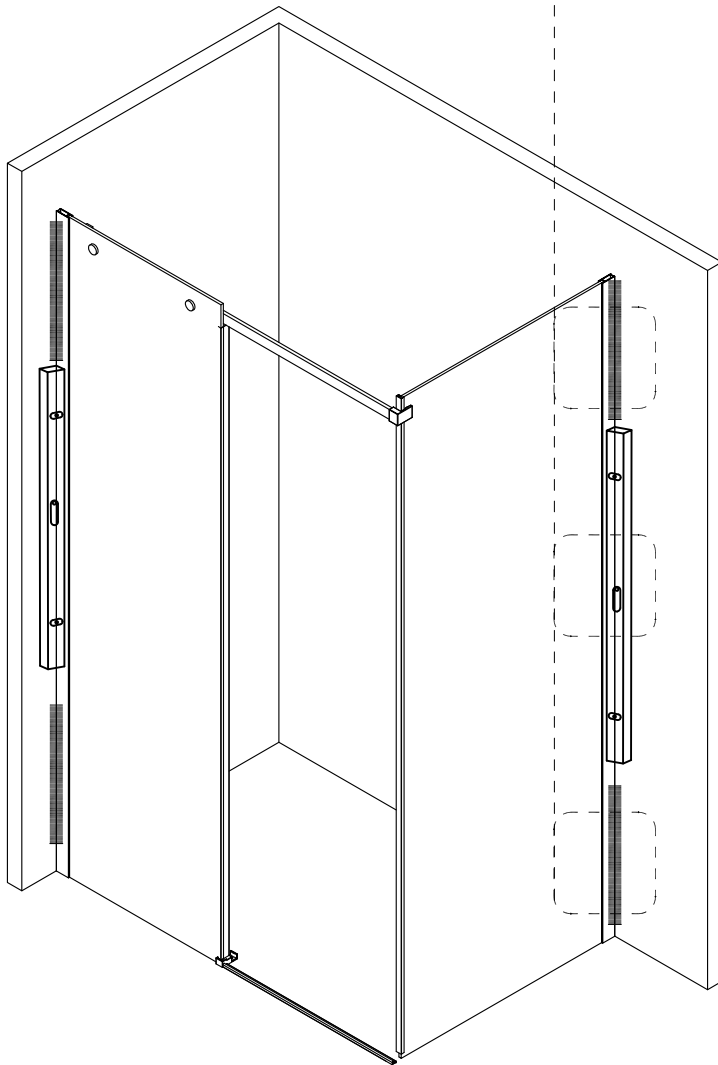
X4

3

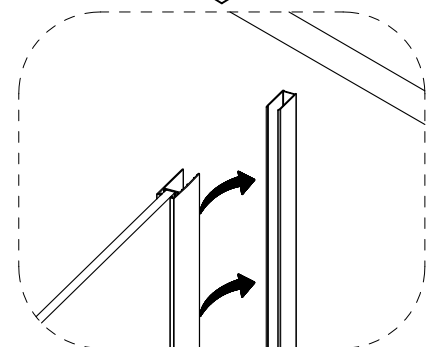
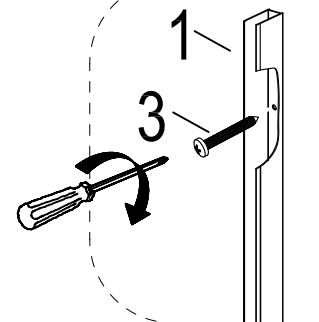
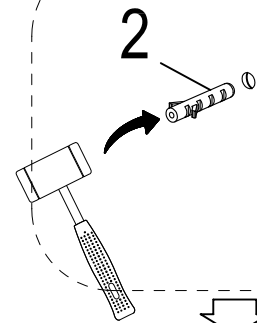
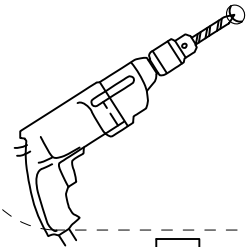


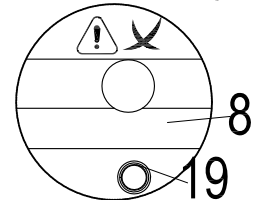
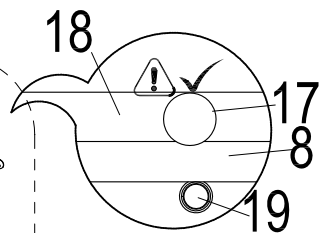
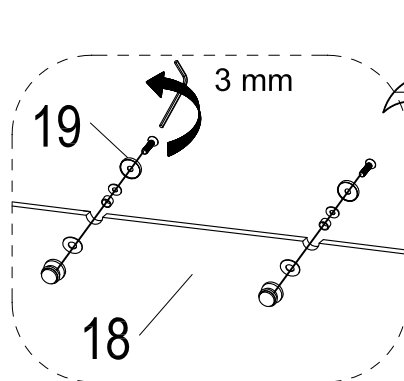
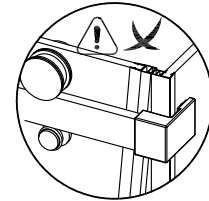
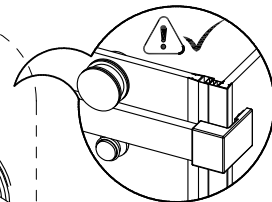
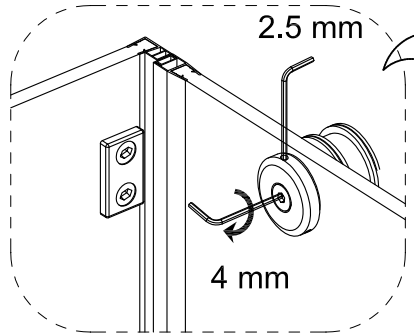
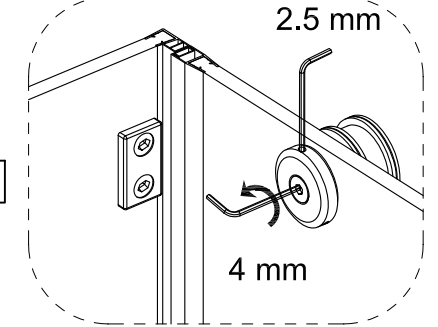
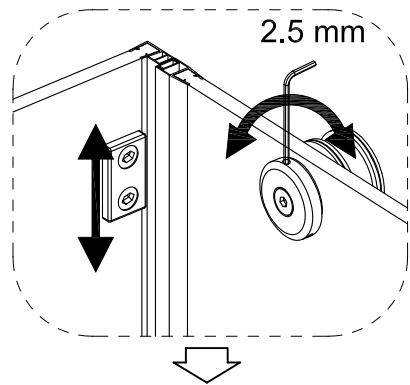
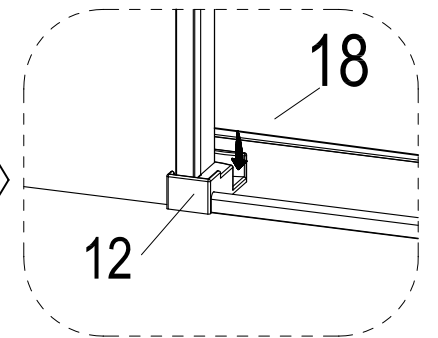
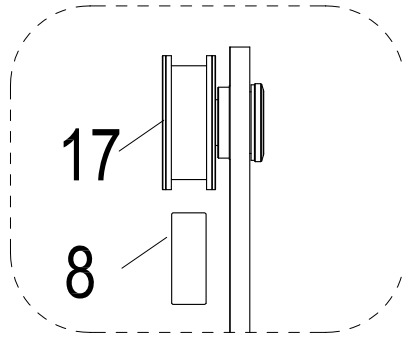
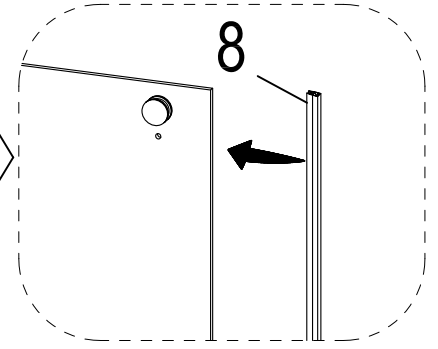
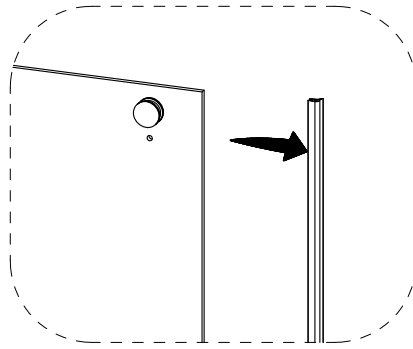
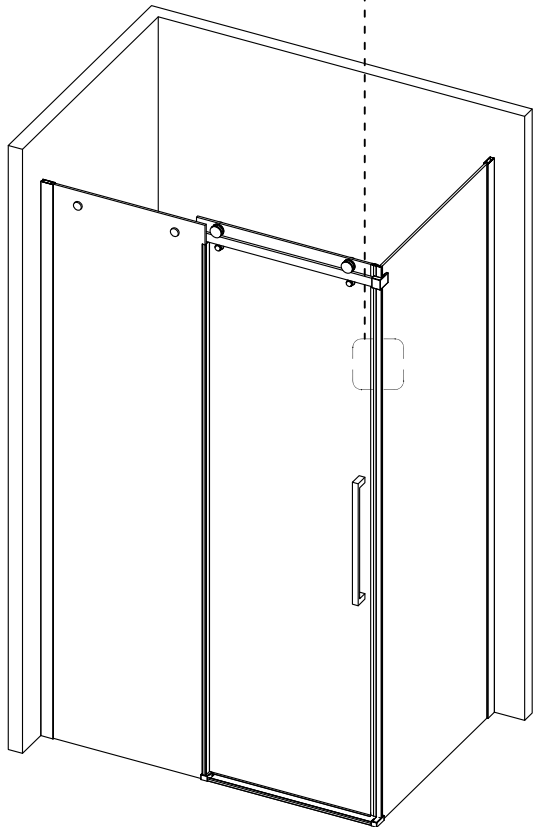
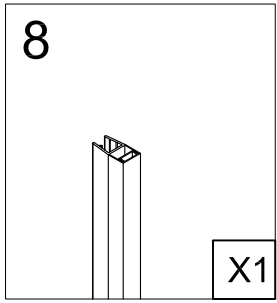
ST3.9X35

X4

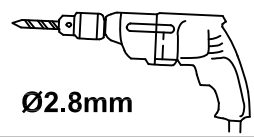


Ø6mm

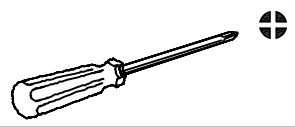




2.5 mm



Ø2.8mm



4

X3

5

ST3.5X10

X3

